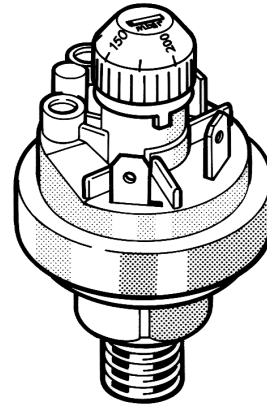


User adjustable switches - Prescal BECK 901.6X

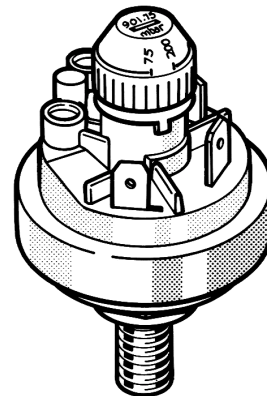
PRESSURE

Model	Adjustment range	Switching differential	Maximum pressure
901.61	5 - 20 mbar	3 mbar	500 mbar
901.62	10 - 50 mbar	5 mbar	500 mbar
901.63	25 - 100 mbar	10 mbar	500 mbar
901.64	50 - 250 mbar	20 mbar	1 bar
901.65	100 - 500 mbar	50 mbar	1 bar
901.66	250 - 1,000 mbar	150 mbar	10 bar
901.67	500 - 1,500 mbar	250 mbar	10 bar
901.68	1,000 - 3,000 mbar	500 mbar	10 bar

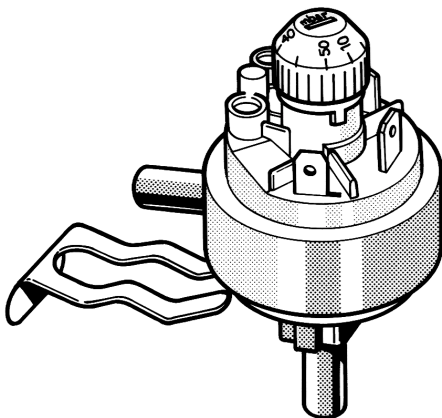


VACUUM

Model	Adjustment range	Switching differential	Maximum pressure
901.71	-5 to -20 mbar	3 mbar	500 mbar
901.72	-10 to -50 mbar	5 mbar	500 mbar
901.73	-25 to -100 mbar	10 mbar	500 mbar
901.74	-50 to -125 mbar	20 mbar	500 mbar
901.75	-75 to -200 mbar	25 mbar	500 mbar
901.76	-100 to -300 mbar	30 mbar	500 mbar
901.77	-200 to -500 mbar	75 mbar	500 mbar
901.78	-300 to -700 mbar	75 mbar	500 mbar



DIFFERENTIAL PRESSURE



Model	Adjustment range	Switching differential	Maximum pressure
901.81	5 to 20 mbar	3 mbar	100 mbar
901.82	10 to 50 mbar	5 mbar	100 mbar

PRESSURE-VACUUM-LEVEL LTD

Unit 9, Lexden Lodge Industrial Estate, Jarvis Brook,
Crowborough, East Sussex, TN6 2NQ U.K.

Tel: +44(0)1892 66 44 99 Fax: +44(0)1892 66 36 90

Web: www.pvl.co.uk Email: info@pvl.co.uk

