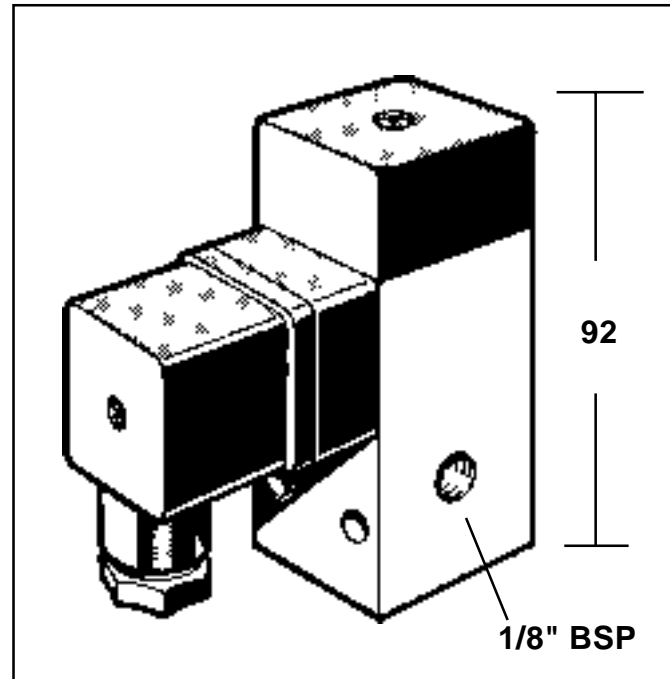


Vacuum switch with C/O contacts**0150**

- User adjustable
- Rugged design
- 100 to 1,000 mbar range
- 20 bar over-pressure
- Aluminium body
- Change-over contacts
- 1/8" BSP female thread
- Standard DIN plug (IP65)



Model 0150	Thread Type	Adjustment range - bar	Tolerance at room temp.	Max pressure	Diaphragm Material
0150 456 15 4 001	1/8" BSP	100 - 1,000 mbar	± 50 mbar	20 bar	ECO (Epichlorohydrin)

Diaphragm material	4 - ECO (epichlorohydrin)	Air, oil, grease, fuel
--------------------	---------------------------	------------------------

Switch electrical rating	220V/0.5A(res) 220V/3A (ind)	Maximum operations	200/minute
Protection	IP65	Hysteresis	100 mbar (approx)
Temperature range ¹	-30°C to +100°C	Body material	Aluminium (AlMg Si 1 F 28)

N.B.

Please note that the adjustment screw is in the base of the switch and NOT under the black plastic cap.

See also [DataFax 1045](#) for a lower cost version.

PRESSURE-VACUUM-LEVEL LTD

Unit 9, Lexden Lodge Industrial Estate, Jarvis Brook,
Crowborough, East Sussex, TN6 2NQ U.K.

Tel: +44(0)1892 66 44 99 Fax: +44(0)1892 66 36 90

Web: www.pvl.co.uk Email: info@pvl.co.uk

