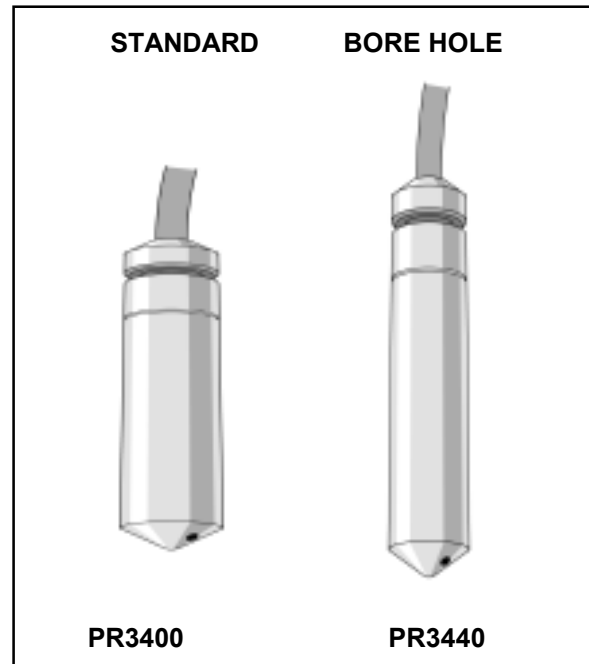


Level Transducers**PR 3400 & PR3440****FEATURES**

- Ideal for contaminated liquids
- 0 - 500 meter ranges
- High stability & repeatability
- Supply voltages up to 36Vdc
- Standard 4 - 20mA output
- Zero & span adjustable on-site
- All stainless steel housing
- Resistant to high voltage surges
- Pressure tight cable sheath for trouble-free venting

**PR3400 RANGE**

The PR3400 submersible range of depth and level transmitters have been designed for the accurate measurement of the depth and level of fluids. Standard depth transmitters are fitted with nylon nose cones to prevent sludge build-up. For the measurement of depth in sludge/slurry materials, the transmitter is mounted on a platform to lift the diaphragm of the transmitter above the sludge/tar level.

Applications include reservoir level, borehole fluid level, water mains pressure inspection chambers, power level, outlet pressure on submersible pumps and sludge/slurry level measurement. Electrical connection is via a screened cable protected by a tough nylon pressure tight sheath which allows excellent trouble-free venting to the surface.

Technical Data			
Pressure ranges	0-2.5mtr wg to 0-500mtr wg	Body material	Stainless steel
Output	4-20 mA	Diaphragm material	Ceramic
Accuracy	± 0.2% long term stability	Seal material	Nitrile STD (options avail.)
Electrical voltage	13 - 36Vdc	Electrical connection	Via screened cable
Temperature range	-20 to +85°C	Enclosure rating	IP69

PRESSURE-VACUUM-LEVEL LTD

Unit 9, Lexden Lodge Industrial Estate, Jarvis Brook,
Crowborough, East Sussex, TN6 2NQ U.K.

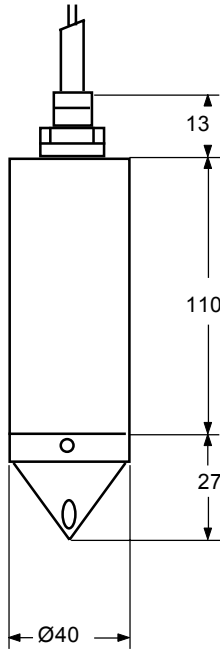
Tel: +44(0)1892 66 44 99 Fax: +44(0)1892 66 36 90

Web: www.pvl.co.uk Email: info@pvl.co.uk

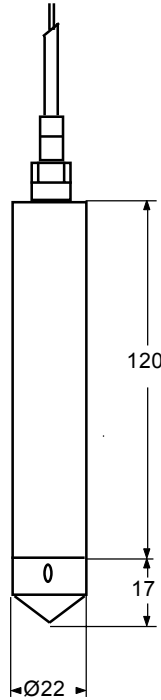


Level Transducer - bore hole PR 3400 & PR3440

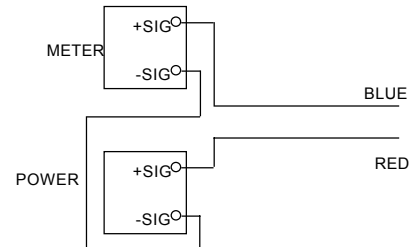
**STANDARD
PR 3400**



**BORE HOLE
PR 3440**



TRANSMITTER WIRING DIAGRAM



ORDERING INFORMATION

MODEL NO.	DESCRIPTION
PR3400	Standard Submersible Transmitter. 0-2.5 to 0-500mtr
PR3440	Bore Hole Submersible Transmitter. 0-5 to 0-500mtr

Pressure Ranges

0 - 2.5 mtr*	0 - 20 mtr
0 - 3 mtr*	0 - 30 mtr
0 - 4 mtr*	0 - 50 mtr
0 - 5 mtr	0 - 100 mtr
0 - 8 mtr	0 - 200 mtr
0 - 10 mtr	0 - 500 mtr
0 - 15 mtr	

* Not available for PR3440

PRESSURE-VACUUM-LEVEL LTD

Unit 9, Lexden Lodge Industrial Estate, Jarvis Brook,
Crowborough, East Sussex, TN6 2NQ U.K.

Tel: +44(0)1892 66 44 99 Fax: +44(0)1892 66 36 90

Web: www.pvl.co.uk Email: info@pvl.co.uk

