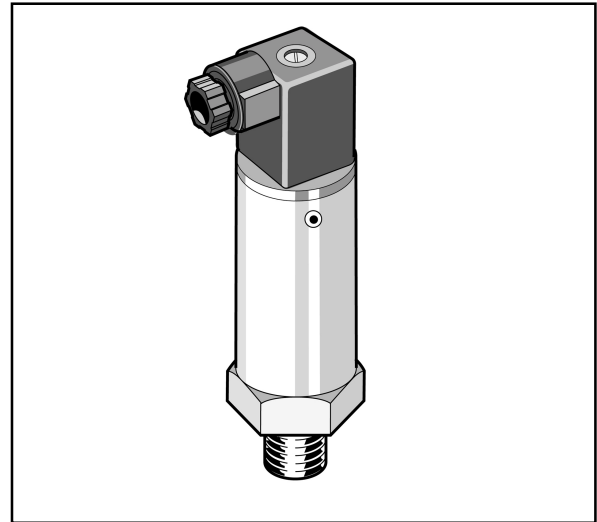


Pressure Transmitter**TYPE: PR3100****FEATURES**

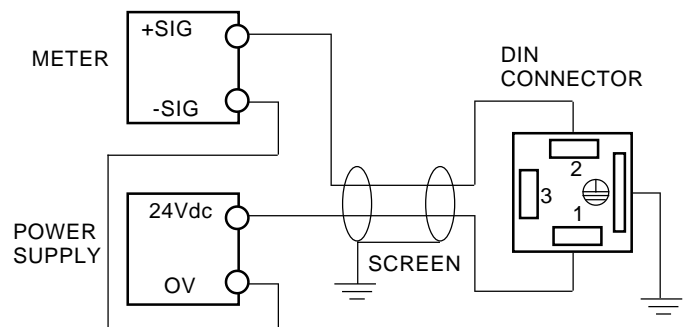
- Pressure ranges: 0 to +1000 BarG
- Vacuum ranges: 0 to -1000 mBarG
- 4 - 20 mA Output
- Zero and Span adjustable
- Wide operating temperature range
- Outstanding performance and Stability
- CE Approved

OPTIONS

- EEX ia II CT4 models available
- Absolute Range Available

**Pressure Ranges (DIN 16128) BarG**

-1 - 0 bar Vac	0 - 25 bar
0 - 800 mbar	0 - 40 bar
0 - 1 bar	0 - 60 bar
0 - 1.6 bar	0 - 100 bar
0 - 2.5 bar	0 - 160 bar
0 - 4 bar	0 - 250 bar
0 - 6 bar	0 - 400 bar
0 - 10 bar	0 - 600 bar
0 - 16 bar	0 - 1000 bar

TRANSMITTER WIRING DIAGRAM

Technical data	
Pressure ranges	0 to +1000BarG
Vacuum ranges	0 to -1000mbarG
Connection	1/2" BSP male
Protection	IP65
Output	4-20 mA
Supply voltage	13 - 36Vdc
Adjustment	±10%
Operating temperature	-20 to +70°C

PRESSURE-VACUUM-LEVEL LTD

Unit 9, Lexden Lodge Industrial Estate, Jarvis Brook,
Crowborough, East Sussex, TN6 2NQ U.K.

Tel: +44(0)1892 66 44 99 Fax: +44(0)1892 66 36 90

Web: www.pvl.co.uk Email: info@pvl.co.uk

PVL
Switched on to Industry