

Pressure Transducer - general purpose GS 4000

FEATURES

- Latest technology, Low cost
- All stainless steel construction
- Output = 20mV, 5V, 10Vdc or 4-20mA
- Excellent stability & accuracy
- Pressure ranges: 0 to +700BarG
- Vacuum ranges: 0 to -1000mbarG
- Ideal for OEM applications

OPTIONS

- Flush diaphragm
- Hygienic & flange fittings
- High temperature model upto 300°C
- Absolute Range Available

DESCRIPTION

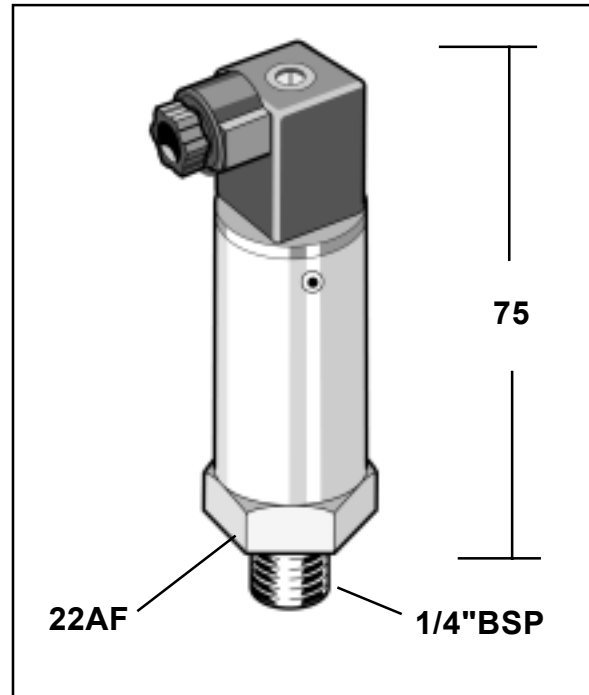
The GS4000 series of Pressure Transducers have been designed for general purpose applications where reliable pressure measurement is required. Incorporating the latest strain gauge technology and utilising unique manufacturing techniques, has resulted in a low cost quality transducer ideal for OEM applications.

Constructed from stainless steel with a 17/4PH stainless steel diaphragm for ranges of over 10bar, and ceramic diaphragm for ranges under 10bar, the GS4000 range of transducers are extremely rugged yet of compact design. Standard thread is 1/4" BSPP.

Applications for the GS4000 range include the continuous monitoring of oil, gas, water, and other liquids in the process, industrial, medical and aerospace industries. Also the measurement and control of pressure in refrigeration, pneumatic, compressor, HVAC and engine monitoring systems.

GS4000 Transducers are compatible with most Panel Meters and Controllers and will provide a simple low cost and accurate pressure measuring and control system. Available in pressure ranges from 0-800mbar to 0-700bar gauge and absolute reference they have electrical outputs of 0-20mV, 0-5Vdc, 0-10Vdc and now 4-20mA (two wire).

See **DataFax 1031-B** (Pages 4 & 5) For full Specifications & Dimensions



PRESSURE-VACUUM-LEVEL LTD

Unit 9, Lexden Lodge Industrial Estate, Jarvis Brook,
Crowborough, East Sussex, TN6 2NQ U.K.

Tel: +44(0)1892 66 44 99 Fax: +44(0)1892 66 36 90

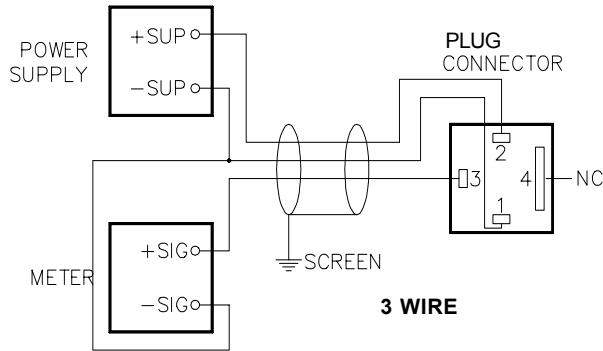
Web: www.pvl.co.uk Email: info@pvl.co.uk



WIRING DIAGRAMS & RANGES

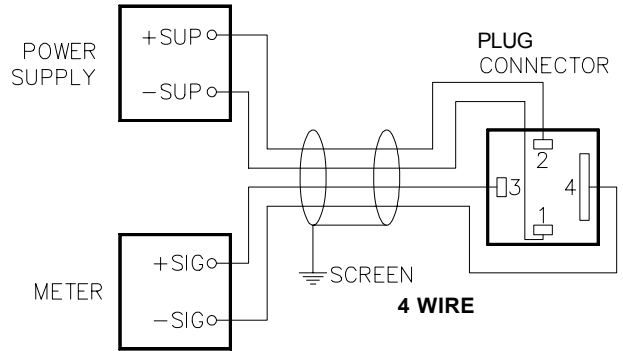
GS 4000

TRANSDUCER WIRING DIAGRAM



3 WIRE

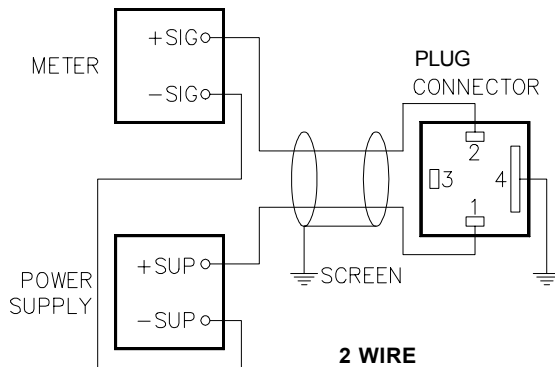
TRANSDUCER WIRING DIAGRAM



4 WIRE

3 and 4 wire versions available for GS 4000/1/2 and GS 4100/1/2
NB. Separate power supply to Meter may be necessary in some instances

TRANSMITTER WIRING DIAGRAM



2 WIRE

2 wire versions available for GS 4003 and GS 4103

See **DataFax 1031-B**
 (Pages 4 & 5) For full
 Specifications &
 Dimensions

ORDERING INFORMATION

PLEASE STATE MODEL NUMBER AND PRESSURE RANGE
 REQUIRED:-
 i.e. GS 4000 0-10bar

Model No.	Description	Output
GS 4000	0 - 10 to 0 - 700 bar	mV
GS 4001	0 - 10 to 0 - 700 bar	0-5V / 1-6V
GS 4002	0 - 10 to 0 - 700 bar	0-10V / 1-11V
GS 4003	0 - 10 to 0 - 700 bar	4 - 20mA
GS 4100	0 - 800 mbar to 0 - 6 bar	mV
GS 4101	0 - 800 mbar to 0 - 6 bar	0-5V / 1-6V
GS 4102	0 - 800 mbar to 0 - 6 bar	0-10V / 1-11V
GS 4103	0 - 800 mbar to 0 - 6 bar	4 - 20mA

PRESSURE RANGES - GS4100/1/2/3

-1 - 0 bar Vac	0 - 2.5 bar
0 - 800 mbar	0 - 4 bar
0 - 1 bar	0 - 6 bar
0 - 1.6 bar	

PRESSURE RANGES - GS4000/1/2/3

0 - 10 bar	0 - 100 bar
0 - 16 bar	0 - 160 bar
0 - 25 bar	0 - 250 bar
0 - 40 bar	0 - 400 bar
0 - 60 bar	0 - 700 bar

**Please phone for prices...
 and further technical details.**

PRESSURE-VACUUM-LEVEL LTD

Unit 9, Lexden Lodge Industrial Estate, Jarvis Brook,
 Crowborough, East Sussex, TN6 2NQ U.K.

Tel: +44(0)1892 66 44 99 Fax: +44(0)1892 66 36 90

Web: www.pvl.co.uk Email: info@pvl.co.uk

