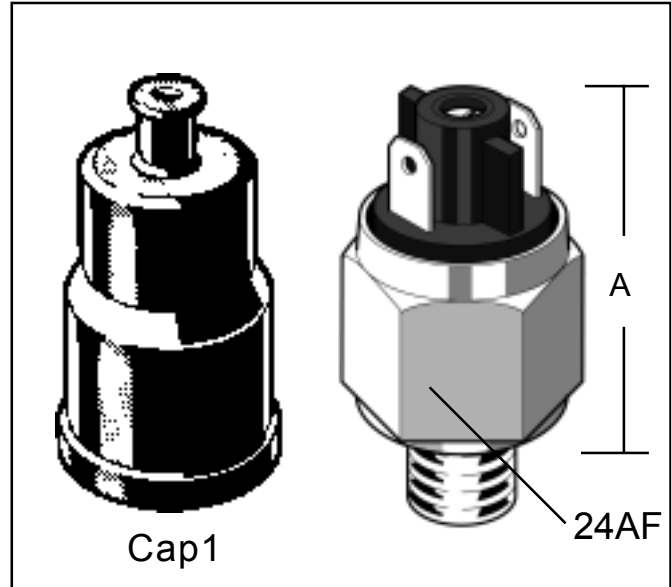


**Pressure switch****PME****FEATURES**

- 0,15 to 20 bar ranges
- 1/8" BSPT standard thread
- IP54 protection with Cap1
- N/O or N/C contacts
- 1/4" (6.35) push-on terminals
- Silver contacts
- Brass body

**PLEASE NOTE**

The Model PME is only available for large volume, low cost applications for OEM's. For most applications, we would recommend our Model PMN which is shown on [DataFax 1021](#).

N/O Contact		N/C contact		Adjusting range bar	Tolerance bar at 25°C	Fixed hysteresis at 25°C in bar
Type	A	Type	A			
PME 2A	42	PME 2C	38	0.15 - 2	± 0.15	0.15
PME 10A	42	PME 10C	38	2 - 10	± 0.3	0.2
PME 20A	42	PME 20C	38	10 - 20	± 0.4	0.3

Technical data			
Maximum voltage	48Vac	Mechanical life	1,000,000 operations
Maximum current	0.5A res (0.2A ind)	Contact	Silver plated (3microns)
Working temperature	-5° to +60°C	Tightening torque	Max. 5Kgm
Protection without CAP1	IP00	Membrane	NBR
Protection with CAP1	IP54	Insulation resistance	1500V - 10mA - 10"
Max. number of strokes	120 per minute	Body	Brass

**PRESSURE-VACUUM-LEVEL LTD**

Unit 9, Lexden Lodge Industrial Estate, Jarvis Brook,  
Crowborough, East Sussex, TN6 2NQ U.K.

Tel: +44(0)1892 66 44 99 Fax: +44(0)1892 66 36 90

Web: [www.pvl.co.uk](http://www.pvl.co.uk) Email: [info@pvl.co.uk](mailto:info@pvl.co.uk)

