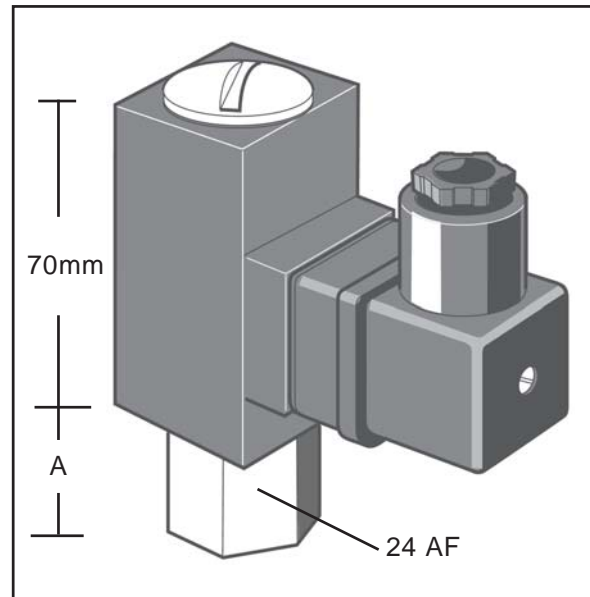


Pressure switch with Din plug**PML & PPL**

- 0.5 to 350 bar adjustment ranges
- Over pressures up to 600 bar
- SPDT (C/O) Contacts
- Switch rating 250Vac/3A (res) 2A (ind)
- 1/4" BSP standard female thread
- Adjustment located under screwed cap
- Steel port with aluminium body



Type	Adj ranges Bar	Max Pressure	Tolerance at 25degC	Dim 'A'	Diaphragm or Piston
PML 10	0.5 - 10	300 bar	+/- 0.2 bar	12mm	Diaphragm
PML100	10 - 100	300 bar	+/- 1 bar	12mm	
PPL150	30 - 150	600 bar	+/- 7 bar	15mm	Piston
PPL400	150 - 350	600 bar	+/- 7 bar	25mm	

See website for prices

Switch electrical rating	250Vac/3A (res) 2A (ind)	Diaphragm/Piston material	Viton (others available)
Protection	IP65 (Pg9 gland standard)	Body material (upper)	Aluminium
Pressure adjustment range	0.5 to 400 bar (4 models)	Body material (lower)	Steel (threaded port)
Maximum pressure	Up to 600 bar	Thread	1/4" BSP
Hysteresis	Fixed (25 - 30% of op press.)	Temperature range	-5 to + 90degC

PRESSURE-VACUUM-LEVEL LTD

Unit 9, Lexden Lodge Industrial Estate, Jarvis Brook,
Crowborough, East Sussex, TN6 2NQ U.K.

Tel: +44(0)1892 66 44 99 Fax: +44(0)1892 66 36 90

Web: www.pvl.co.uk Email: info@pvl.co.uk

