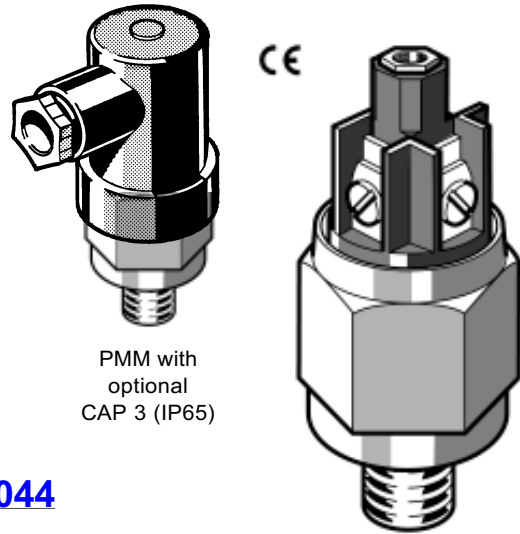


**Pressure switch with screw terminals****PMM**

- 0,1 to 300 bar ranges
- Over-pressure proof up to 600 bar
- N/O or N/C contacts
- Screw terminals (push-on optional)
- Gold contacts option
- Choice of body material
- Vacuum switch option see [DataFax 1044](#)



PMM with  
optional  
CAP 3 (IP65)

The Type PMM Pressure Switch  
is similar to the Type PMN Switch  
which can be seen on [DataFax 1021](#)

Switch electrical rating	48V/ 0.5A (res) 0.2A (ind)	Diaphragm/Piston material	Nitrile (standard) see options
Protection	IP00 (Cap1 or Cap10 = IP54)	Body material	Brass, Steel or S/Steel
Pressure adjustment range	0.1 to 300 bar	Thread	1/4" BSP (standard)
Maximum pressure	Up to 600 bar	Temperature range	See diaphragm/piston spec
Hysteresis	Contact us for details	Tightening torque	5 Kgm

**PRESSURE-VACUUM-LEVEL LTD**

Unit 9, Lexden Lodge Industrial Estate, Jarvis Brook,  
Crowborough, East Sussex, TN6 2NQ U.K.

Tel: +44(0)1892 66 44 99 Fax: +44(0)1892 66 36 90

Web: [www.pvl.co.uk](http://www.pvl.co.uk) Email: [info@pvl.co.uk](mailto:info@pvl.co.uk)

