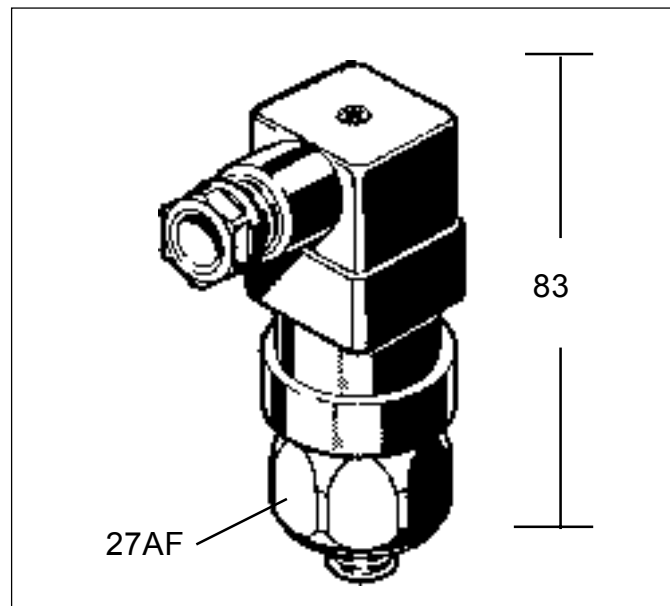


**Pressure Switch with DIN plug****0184 & 0185****FEATURES**

- User adjustable or factory pre-set
- 0.3 to 200 bar range
- Ideal for hydraulics & pneumatics
- Change-over contacts
- Standard DIN Plug - IP65

**OPTIONS**

- M10 x 1T, M12 x 1.5 metric threads
- Hysteresis setting (at factory)
- Nitrile, EPDM or Viton seals



Switch electrical rating	250Vac/4A (max)	Maximum operations	200/minute
Protection	IP65 (with connector plug)	Mechanical life	1,000,000 operations (at 50 bar)
Temperature range <sup>1</sup>	-30°C to +120°C	Body material	Steel (zinc plated)
Hysteresis	Hysteresis can be adjusted at the factory between 10 - 30%		

<sup>1</sup> Temperature range according to diaphragm or piston seal material

?	Insert Number of Diaphragm or Piston	1 = NBR (Nitrile)	Hydraulic oil, engine oil, heating oil, turpentine, air.
		2 = EPDM <sup>3</sup>	Water, hydrogen, seawater, acetylene, ozone, oxygen <sup>2</sup> , brakefluid.
		3 = FKM (Viton)	Hydraulic fluid (i.e. HFA, HFB, HFC & HFD) gasoline

<sup>2</sup> Please call PVL with regards to use with Oxygen

<sup>3</sup> Ethylenepropylene

Diaphragm type - Model 0184	Thread Type	Adjustment range - bar	Tolerance in bar at room temp.	Max pressure
0184 457 03 ? 003	1/4" BSP	0.3 - 1.5 bar	±0.2 bar	100 bar
0184 458 03 ? 042	1/4" BSP	1 - 10 bar	±0.5 - 1.0 bar	300 bar
0184 459 03 ? 009	1/4" BSP	10 - 50 bar	± 3.0 bar	
0184 461 03 ? 012	1/4" BSP	10 - 100 bar	± 3.0 - 5.0 bar	

Piston Seal type - Model 0185	(Switches with piston seals are not recommended for use with gases)			
0185 460 03 ? 003	1/4" BSP	50 - 200 bar	± 5.0 bar	600 bar

**PRESSURE-VACUUM-LEVEL LTD**

Unit 9, Lexden Lodge Industrial Estate, Jarvis Brook, Crowborough, East Sussex, TN6 2NQ U.K.

Tel: +44(0)1892 66 44 99 Fax: +44(0)1892 66 36 90

See the Cat at: [www.pvl.co.uk](http://www.pvl.co.uk)

